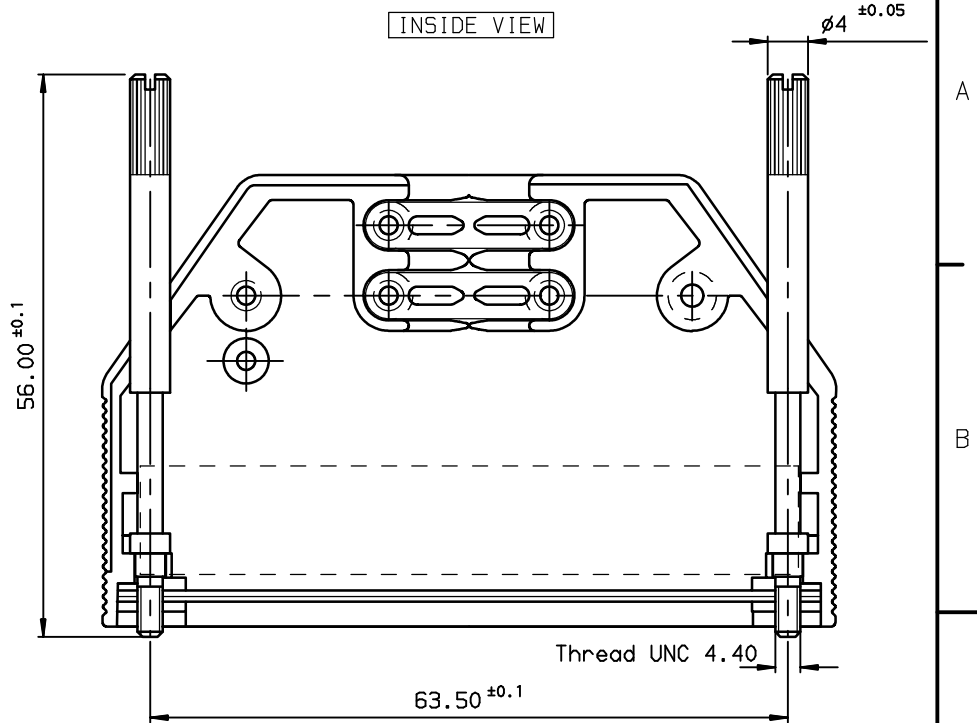
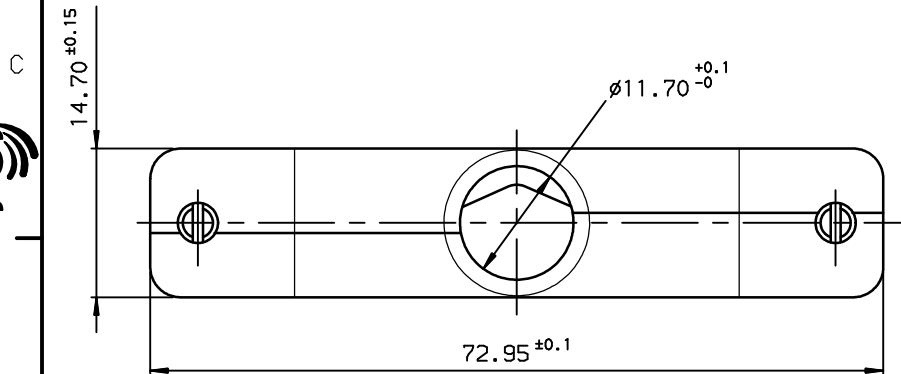
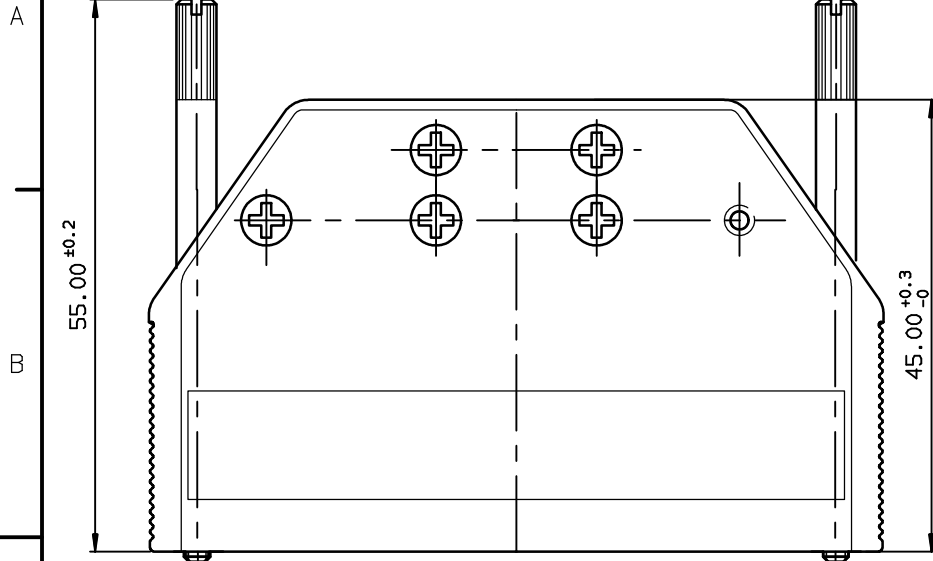




Copyright FCI.



Core range		
PART NUMBER	8655MH3711LF	PACKAGING: per 1 piece

FOR STANDARD AND APPLICATION SPECIFIC PART NUMBER SEE SHEET 2.

**NOTE: RoHS INFORMATIONS**

- The "LF" product meets European union Directives and other country regulations as described in 65-22-008.
- The product is not intended to be exposed to a manufacturing solder process.
- Packaging spec: see 65-14-920.

rev	ecn no	dr	date
A	LS05-0086	MPE	2005/10/14
B	LS06-0095	LGO	2006/07/17
-	-	-	-
-	-	-	-
-	-	-	-
-	-	-	-

www.fciconnect.com		surface ISO 1302	tolerance std ISO 406 ISO 1101	projection mm
		TOLERANCES UNLESS OTHERWISE SPECIFIED		
Dr	JARRY	2005/10/14	0.X	±0.1
Eng	PESSON	2005/10/14	0.XX	±0.1
Chr	LEGARE	2005/10/14	0.XXX	±0.1
Appr	LEGARE	2005/10/14	Product family D-SUB Spec ref -	
FCI title SHIELDED HOODS -TWO PARTS HOODS (Shell size 37)		part no C01-8655-1599-1		Rev. B
catalog no		CUSTOMER sheet 1 of 1		

REV F - 2006-04-17



Copyright FCI.

A

B

C

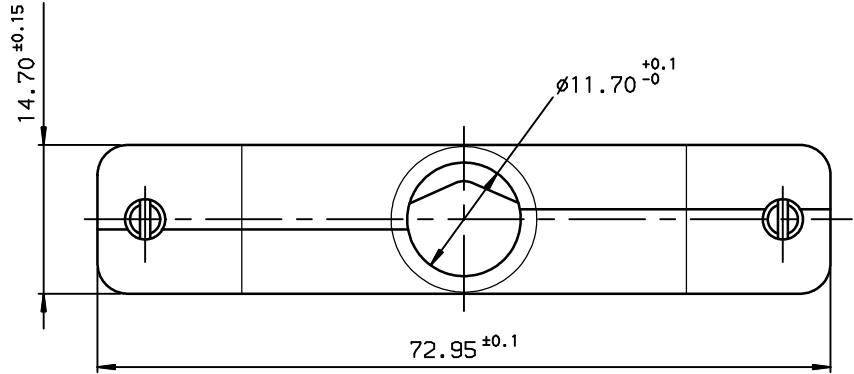
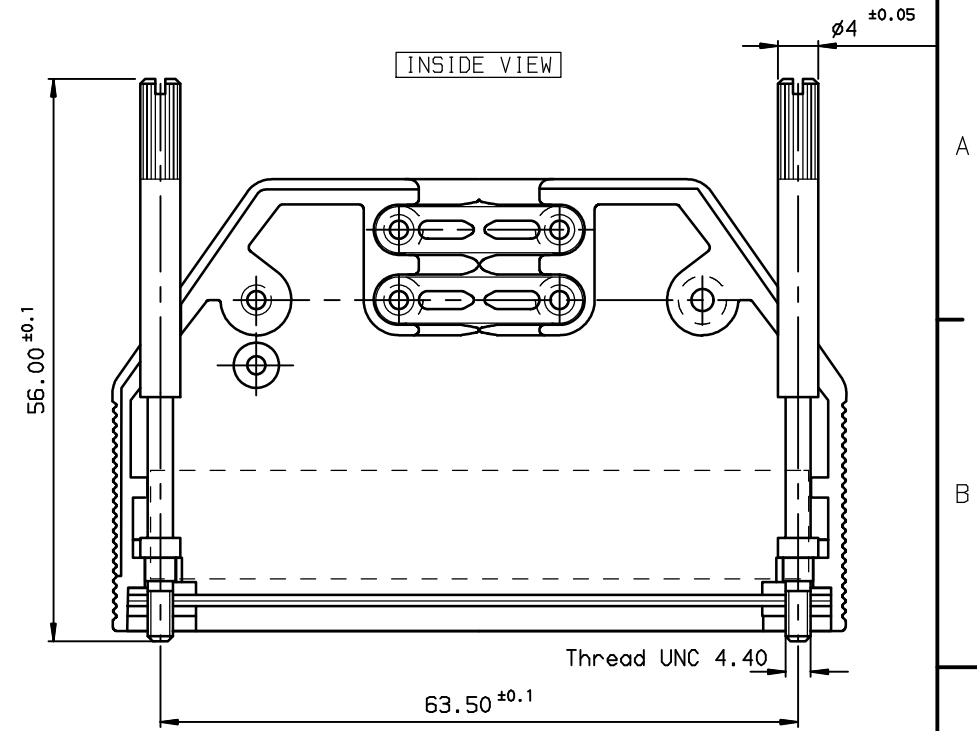
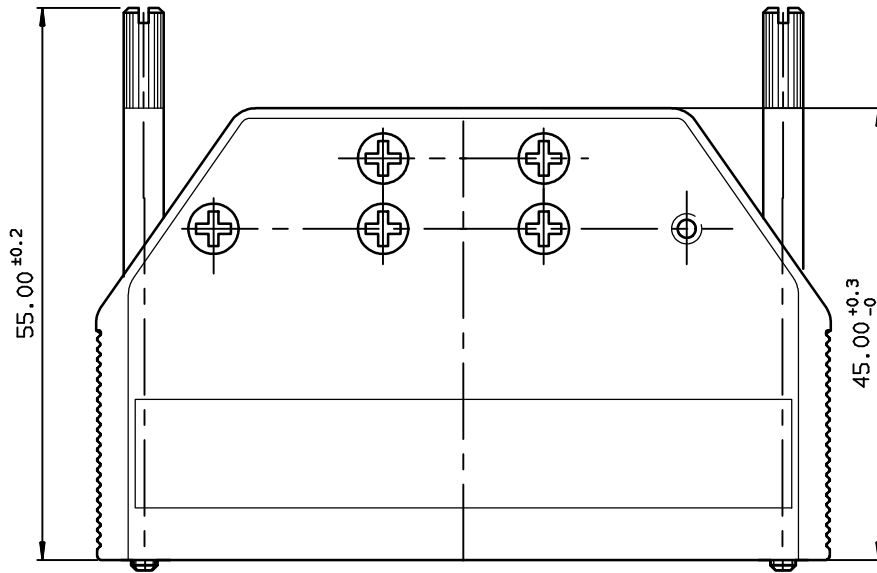
D

1

2

3

4



Pull Parts		
PART NUMBER	8655MH3701LF	PACKAGING: per 40 pieces

European Views

www.fciconnect.com		surface ISO 1302 ✓	tolerance std ISO 406 ISO 1101	projection mm
TOLERANCES UNLESS OTHERWISE SPECIFIED				
Dr	JARRY	2005/10/14	ANGULAR	0.x ±0.1
Eng	PESSON	2005/10/14	LINEAR	0.xx ±0.1
Chr	LEGARE	2005/10/14	0.xx' ±2'	0.xxx ±0.1
Appr	LEGARE	2005/10/14	Product family	D-SUB
title SHIELDED HOODS -TWO PARTS HOODS (Shell size 37)			size A3	Scale 2
catalog no			ECN LS06-0095	Rev. B
CUSTOMER			spec ref	sheet 1 of 1

**NOTE: RoHS INFORMATIONS**

- The "LF" product meets European union Directives and other country regulations as described in GS-22-008.
- The product is not intended to be exposed to a manufacturing solder process.
- Packaging spec: see GS-14-920.

rev	ecn no	dr	date
A	LS05-0086	MPE	2005/10/14
B	LS06-0095	LGO	2006/07/17
-	-	-	-
-	-	-	-
-	-	-	-
-	-	-	-

REV F - 2006-04-17

1

2

3

4